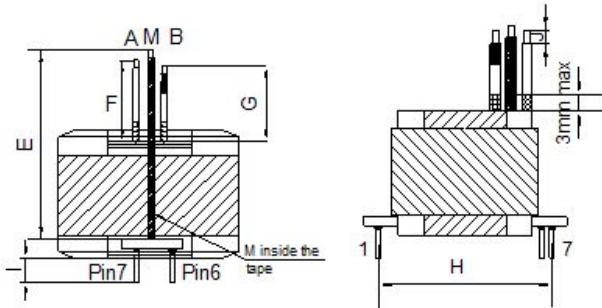
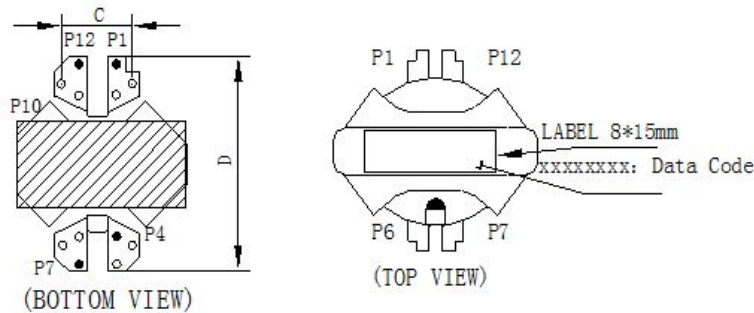


CUSTOMER TERMINAL	ROHS	Lead(Pb)-free
	YES	YES

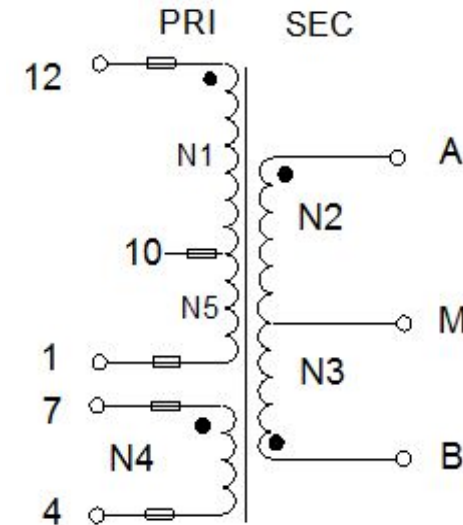
1.Mechanical Dimensions



C	7.2	±0.3
D	25	MAX
E	50	±1.0
F	40	±1.0
G	40	±1.0
H	24	MAX
I	3.5	±0.5
J	3.5	±0.5



2.Schematic Diagram



3.Material List

Core:FW44 RM8
 Bobbin:FWB0804(6+6PIN)
 Wire:2UEW TIW
 Operating Temperature: -30 to115 °C

4.Electrical Specification

Inductance : $L(12-1):1200\mu H \pm 5\%$ 50KHZ, 1.0V
 Leakage inductance: 13uH MAX 50KHZ, 1.0V
 DCR : (A-M)=0.4Ω MAX (12-1)=2.0Ω MAX
 Hi-Pot:P-S: AC 60Hz 4000V 1mA 3S
 S-CORE:AC 60Hz 4000V 1mA 3S

REV.	DATE	 Convention Placement	DRW.	Drawing Title: TRANSFORMER	Part No: FWPTRM8V122J
0	00/00		CHK.		
			APP.		
ROHS		www.ferriwo.com	Customer P/N	Specification Sheet 1of 1	